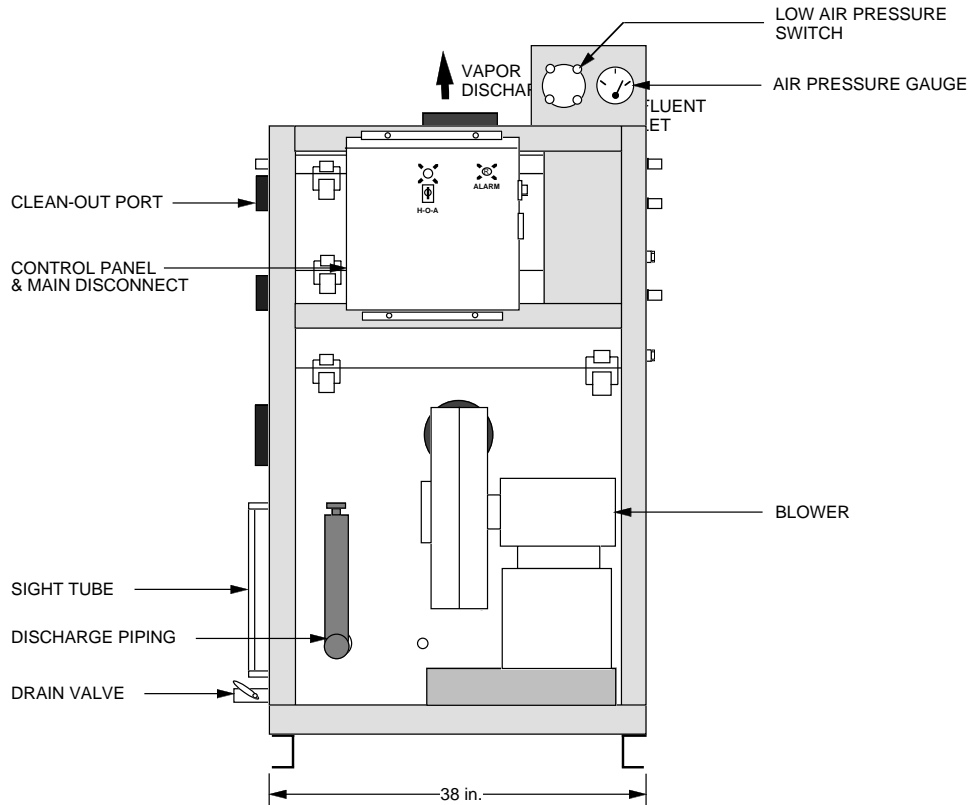
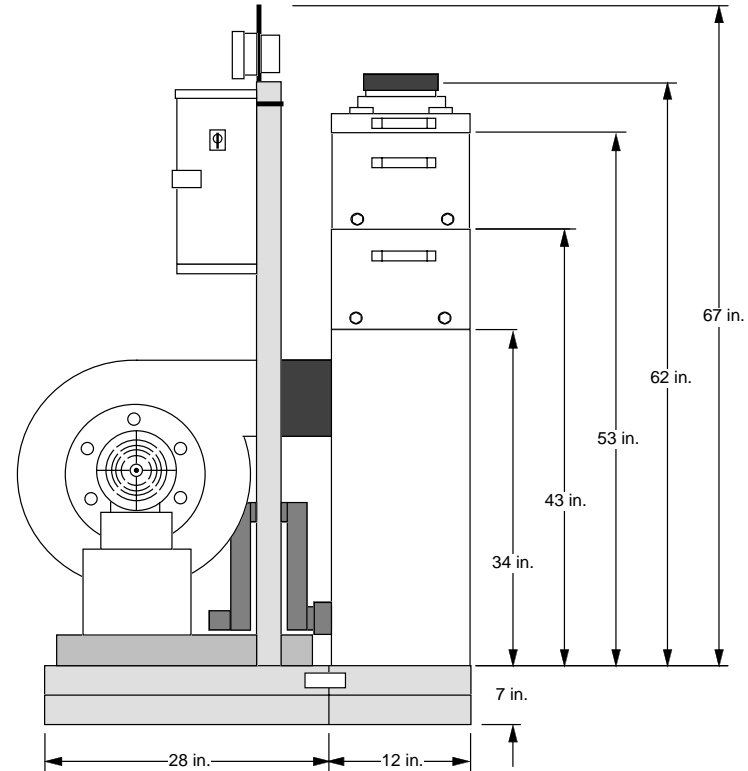


FRONT



RIGHT SIDE



MINIMUM CLEARANCE

FRONT	1.5 ft.
TOP	12 in.
REAR	N/A
LEFT	3.5 ft.
RIGHT	1 ft.

NOTE: THIS DRAWING IS REPRESENTATIVE OF A STANDARD SHALLOWTRAY CONFIGURATION, AND IS NOT INTENDED FOR ENGINEERING DESIGN OR LAYOUT. ACTUAL ARRANGEMENT AND DIMENSIONS MAY VARY DEPENDING ON BLOWER SELECTION OR OTHER ACCESSORIES. PLEASE CONTACT NEEP FOR DETAILED DESIGN INFORMATION.

POWER: 1Ø, 230 Volt, 3 WIRE + GROUND 60 Hz

*CONSULT N.E.E.P. FOR AMPACITIES AND OTHER VOLTAGE OPTIONS

STRIPPER CONSTRUCTION:
304L STAINLESS STEEL

BASIC SYSTEM

- ✓ SUMP TANK
- ✓ STRIPPER TRAYS
- ✓ BLOWER
- ✓ MIST ELIMINATOR
- ✓ PIPING
- ✓ SPRAY NOZZLE
- ✓ WATER SIGHT TUBE
- ✓ GASKETS
- ✓ LATCHES

OPTIONAL ITEMS

- ✓ FRAME
- ✓ GRAVITY DISCHARGE PIPING
- ✓ AIR PRESSURE GAUGE
- DISCHARGE PUMP
- FEED PUMP
- ADDITIONAL BLOWER
- EXPLOSION-PROOF MOTOR(S)
- LOCAL DISCONNECT NEMA 7
- CONTROL PANEL
- ✓ MAIN DISCONNECT SWITCH
- I.S. COMPONENTS/REMOTE MOUNT
- ✓ INTERMITTENT OPERATION
- STROBE LIGHT

- ALARM HORN
- POWER LAPSE INDICATOR
- ✓ AIR PRESSURE ALARM SWITCH(ES)
- ✓ HIGH WATER LEVEL ALARM SWITCH
- DISCHARGE PUMP LEVEL SWITCH
- WATER PRESSURE GAUGE
- AIR FLOW METER
- TEMPERATURE GAUGE
- LINE SAMPLING PORT(S)
- AIR BLOWER SILENCER
- WASHER WAND
- AUTO DIALER

CONNECTION INFORMATION

ITEM	SIZE
GRAVITY DISCHARGE	2"Ø SOCKET, PVC80
DISCHARGE PUMP	1.5"Ø FNPT
WATER INLET	1 1/2"Ø FNPT
AIR EXHAUST NOZZLE	6"Ø STUB w/6" CPLG



NORTH EAST ENVIRONMENTAL PRODUCTS, INC.
7 COMMERCE AVENUE
WEST LEBANON, NEW HAMPSHIRE 03784
PHONE: 603-298-7061 FAX: 603-298-7063
www.neepsystems.com

TOLERANCES UNLESS OTHERWISE SPECIFIED: ± 1 INCH	DRAWING NAME: ShallowTray® Model 1321		
	DRAWING #: Proposal #Typical		
DRAWN: DCS	CUSTOMER: NEEPSYSTEMS.com		
DATE: 09/12/02	SCALE: NTS	SIZE: A	SHEET: 1 OF 1

STRIPPER CONSTRUCTION:

304L STAINLESS STEEL