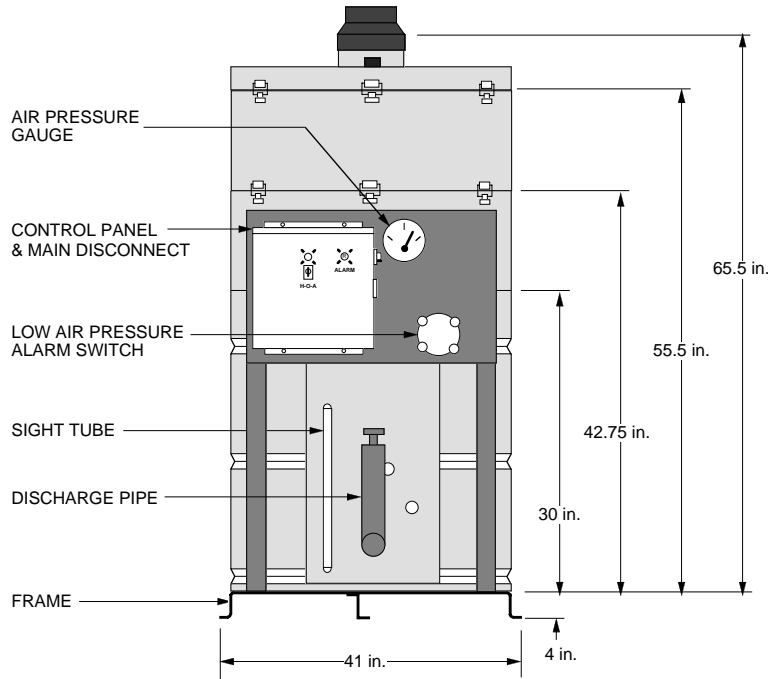
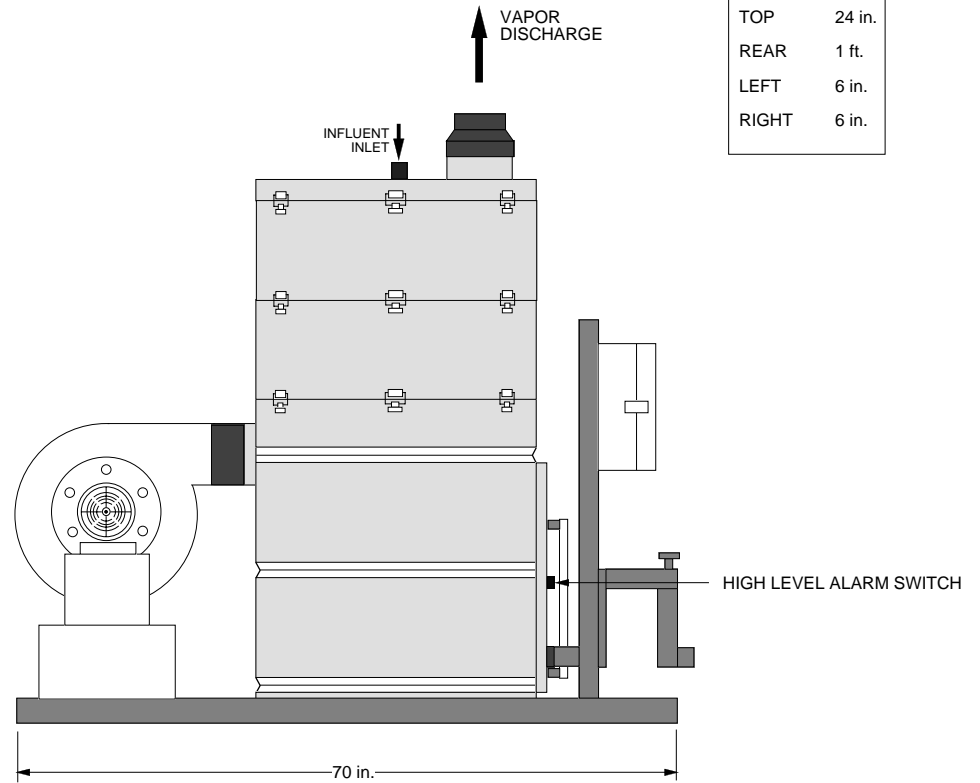


FRONT



LEFT SIDE



MINIMUM CLEARANCE

FRONT	1.5 ft.
TOP	24 in.
REAR	1 ft.
LEFT	6 in.
RIGHT	6 in.

BASIC SYSTEM

- ✓ SUMP TANK
- ✓ STRIPPER TRAYS
- ✓ BLOWER
- ✓ MIST ELIMINATOR
- ✓ PIPING
- ✓ SPRAY NOZZLE
- ✓ WATER LEVEL SIGHT TUBE
- ✓ GASKETS
- ✓ LATCHES

OPTIONAL ITEMS

- ✓ SKID & STANCHION
- ✓ GRAVITY DISCHARGE PIPING
- DISCHARGE PUMP
- FEED PUMP
- ADDITIONAL BLOWER
- EXPLOSION-PROOF MOTOR(S)
- LOCAL DISCONNECT NEMA 7
- ✓ CONTROL PANEL
- ✓ MAIN DISCONNECT SWITCH
- I.S. COMPONENTS/REMOTE MOUNT
- ✓ INTERMITTENT OPERATION
- POWER LAPSE INDICATOR
- STROBE LIGHT
- ALARM HORN
- ✓ AIR PRESSURE GAUGE
- ✓ LOW AIR PRESSURE ALARM SWITCH
- ✓ HIGH WATER LEVEL ALARM SWITCH
- DISCHARGE PUMP LEVEL SWITCH
- WATER PRESSURE GAUGE(S)
- DIGITAL WATER FLOW INDICATOR
- AIR FLOW METER
- TEMPERATURE GAUGE(S)
- LINE SAMPLING PORT(S)
- AIR BLOWER SILENCER
- WASHER WAND
- AUTO DIALER

STRIPPER CONSTRUCTION:

ROTATIONALLY MOLDED LOW DENSITY POLYETHYLENE (LDPE)

NOTES: THIS DRAWING IS REPRESENTATIVE OF A STANDARD SHALLOWTRAY CONFIGURATION, AND IS NOT INTENDED FOR ENGINEERING DESIGN OR LAYOUT. ACTUAL ARRANGEMENT AND DIMENSIONS MAY VARY DEPENDING ON BLOWER SELECTION OR OTHER ACCESSORIES. PLEASE CONTACT NEEP FOR DETAILED DESIGN INFORMATION.

CONNECTION INFORMATION


ITEM	SIZE
GRAVITY DISCHARGE	2"Ø SOCKET, PVC80
DISCHARGE PUMP	1-1/4"Ø FNPT
WATER INLET	1"Ø FNPT
AIR EXHAUST NOZZLE	8"Ø STUB W/8x6 CPLG

POWER: 3Ø, 460 volts, 3 WIRE + GROUND 60 Hz

*CONSULT N.E.E.P. FOR AMPACITIES AND OTHER VOLTAGE OPTIONS

STRIPPER CONSTRUCTION:

ROTATIONALLY MOLDED (~28"Ø)
LOW DENSITY POLYETHYLENE (LDPE)

	NORTH EAST ENVIRONMENTAL PRODUCTS, INC. 7 COMMERCE AVENUE WEST LEBANON, NEW HAMPSHIRE 03784 PHONE: 603-298-7061 FAX: 603-298-7063 http://www.neepsystems.com		
	DRAWING NAME: ©NEEP 2002 ShallowTray® Model 1331-P		
TOLERANCES UNLESS OTHERWISE SPECIFIED: ± 1 INCH	DRAWING #: Proposal #Typical		
DRAWN: DCS	CUSTOMER: NEEPSYSTEMS.com		
DATE: 09/17/02	SCALE: NTS	SIZE: A	SHEET: 1 OF 1