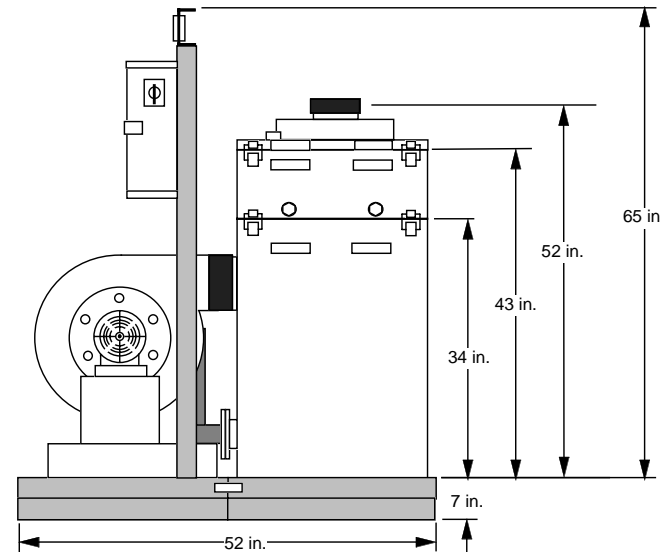
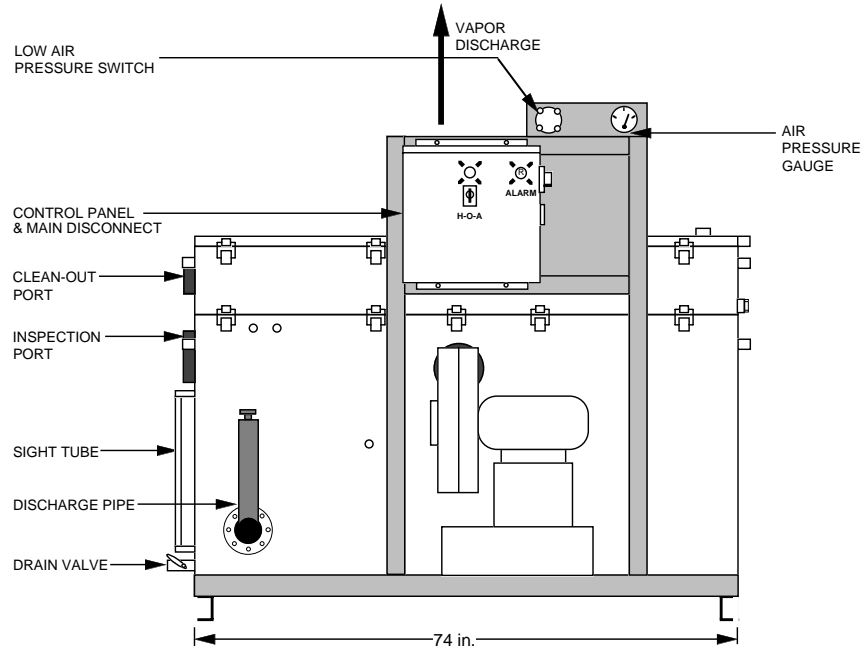


FRONT

RIGHT SIDE

MINIMUM CLEARANCE

FRONT	1.5 ft.
TOP	15 in.
REAR	N/A
LEFT	6.5 ft.
RIGHT	1 ft.



BASIC SYSTEM

- ✓ SUMP TANK
- ✓ STRIPPER TRAYS
- ✓ BLOWER
- ✓ MIST ELIMINATOR
- ✓ PIPING
- ✓ SPRAY NOZZLE
- ✓ WATER LEVEL SIGHT TUBE
- ✓ GASKETS
- ✓ LATCHES

OPTIONAL ITEMS

- ✓ SKID & STANCHION
- ✓ GRAVITY DISCHARGE PIPING
- DISCHARGE PUMP
- FEED PUMP
- ADDITIONAL BLOWER
- EXPLOSION-PROOF MOTOR(S)
- LOCAL DISCONNECT NEMA 7
- ✓ CONTROL PANEL
- ✓ MAIN DISCONNECT SWITCH
- I.S. COMPONENTS/REMOTE MOUNT
- ✓ INTERMITTENT OPERATION
- STROBE LIGHT
- ALARM HORN
- POWER LAPSE INDICATOR
- ✓ LOW AIR PRESSURE ALARM SWITCH(ES)
- ✓ HIGH WATER LEVEL ALARM SWITCH
- DISCHARGE PUMP LEVEL SWITCH
- WATER PRESSURE GAUGE(S)
- DIGITAL WATER FLOW INDICATOR
- ✓ AIR PRESSURE GAUGE
- AIR FLOW METER
- TEMPERATURE GAUGE(S)
- LINE SAMPLING PORT(S)
- AIR BLOWER SILENCER
- ✓ WASHER WAND
- AUTO DIALER

NOTE: THIS DRAWING IS REPRESENTATIVE OF A STANDARD SHALLOWTRAY CONFIGURATION, AND IS NOT INTENDED FOR ENGINEERING DESIGN OR LAYOUT. ACTUAL ARRANGEMENT AND DIMENSIONS MAY VARY DEPENDING ON BLOWER SELECTION OR OTHER ACCESSORIES. PLEASE CONTACT NEEP FOR DETAILED DESIGN INFORMATION.


POWER: 3Ø, 460 Volt, 3 WIRE + GROUND 60 Hz

*CONSULT N.E.E.P. FOR OTHER AMPACITIES AND VOLTAGE OPTIONS

STRIPPER CONSTRUCTION:
304L STAINLESS STEEL

CONNECTION INFORMATION

ITEM	SIZE
GRAVITY DISCHARGE	4"Ø SOCKET, PVC80
DISCHARGE PUMP	2"Ø FNPT
WATER INLET	2"Ø FNPT
AIR EXHAUST NOZZLE	8"Ø STUB w/8" CPLG

	NORTH EAST ENVIRONMENTAL PRODUCTS, INC. 7 COMMERCE AVENUE WEST LEBANON, NEW HAMPSHIRE 03784 PHONE: 603-298-7061 FAX: 603-298-7063 http://www.neepsystems.com		
	DRAWING NAME: © 2002 NEEP ShallowTray® Model 2611 ✓		
TOLERANCES UNLESS OTHERWISE SPECIFIED: ± 1 INCH $\delta y \sigma$	DRAWING #: Proposal #Typical		
DRAWN: DCS	CUSTOMER: NEEPSYSTEMS.com		
DATE: 09/27/02	SCALE: NTS	SIZE: A	SHEET: 1 OF 1