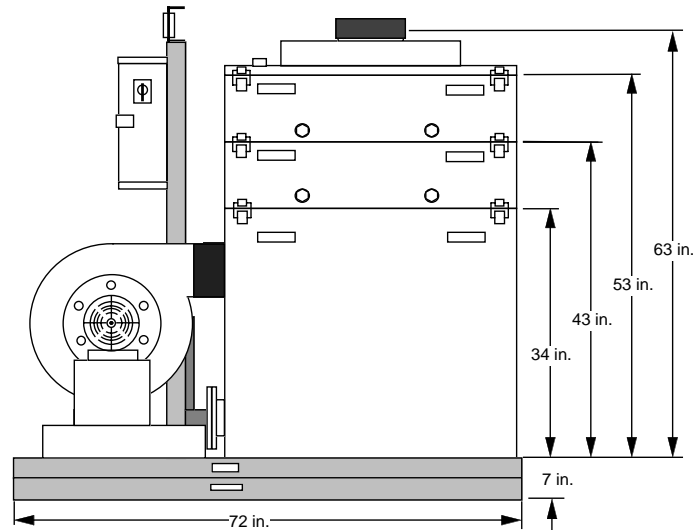
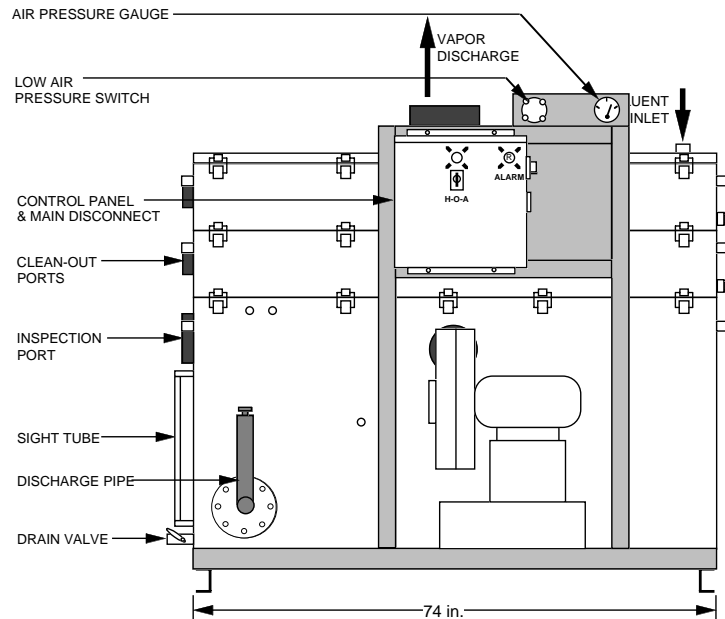


**FRONT**

**RIGHT SIDE**

**MINIMUM CLEARANCE**

FRONT	1.5 ft.
TOP	12 in.
REAR	N/A
LEFT	6.5 ft.
RIGHT	1 ft.



**BASIC SYSTEM**

- ✓ SUMP TANK
- ✓ STRIPPER TRAYS
- ✓ BLOWER
- ✓ MIST ELIMINATOR
- ✓ PIPING
- ✓ SPRAY NOZZLE
- ✓ WATER LEVEL SIGHT TUBE
- ✓ GASKETS
- ✓ LATCHES

**OPTIONAL ITEMS**

- ✓ SKID & STANCHION
- ✓ AIR PRESSURE GAUGE
- ✓ GRAVITY DISCHARGE PIPING
- DISCHARGE PUMP
- FEED PUMP
- ADDITIONAL BLOWER
- EXPLOSION-PROOF MOTORS
- LOCAL DISCONNECT NEMA 7
- ✓ CONTROL PANEL
- ✓ MAIN DISCONNECT SWITCH
- I.S. COMPONENTS/REMOTE MOUNT
- ✓ INTERMITTENT OPERATION
- STROBE LIGHT
- ALARM HORN
- POWER LAPSE INDICATOR
- ✓ LOW AIR PRESSURE ALARM SWITCH(ES)
- ✓ HIGH WATER LEVEL ALARM SWITCH
- DISCHARGE PUMP LEVEL SWITCH
- WATER PRESSURE GAUGE(S)
- DIGITAL WATER FLOW INDICATOR
- AIR FLOW METER
- TEMPERATURE GAUGE(S)
- LINE SAMPLING PORT(S)
- AIR BLOWER SILENCER
- ✓ WASHER WAND
- AUTO DIALER

**NOTE:** THIS DRAWING IS REPRESENTATIVE OF A STANDARD SHALLOWTRAY CONFIGURATION, AND IS NOT INTENDED FOR CONSULT N.E.E.P. FOR AMPACITIES AND ENGINEERING DESIGN OR LAYOUT. ACTUAL ARRANGEMENTS AND DIMENSIONS MAY VARY DEPENDING ON BLOWER SELECTION OR OTHER ACCESSORIES. PLEASE CONTACT NEEP FOR DETAILED DESIGN INFORMATION.

**POWER:** 3Ø, 460 Volt, 3 WIRE + GROUND 60Hz

**STRIPPER CONSTRUCTION:**  
304L STAINLESS STEEL

**CONNECTION INFORMATION**

ITEM	SIZE
GRAVITY DISCHARGE	6"Ø SOCKET, PVC80
DISCHARGE PUMP	3"Ø FNPT
WATER INLET	3"Ø FNPT
AIR EXHAUST NOZZLE	10"Ø STUB W/10" CPLG



NORTH EAST ENVIRONMENTAL PRODUCTS, INC.  
7 COMMERCE AVENUE  
WEST LEBANON, NEW HAMPSHIRE 03784  
PHONE: 603-298-7061 FAX: 603-298-7063  
<http://www.neepsystems.com>

TOLERANCES UNLESS OTHERWISE SPECIFIED: ± 1 INCH <sub>67c</sub>	DRAWING NAME: © 2002 NEEP <b>ShallowTray® Model 3621</b>		
	DRAWING #: <b>Proposal #Typical</b>		
DRAWN: <b>DCS</b>	CUSTOMER: <b>NEEPSYSTEMS.com</b>		
DATE: <b>05/22/02</b>	SCALE: NTS	SIZE: A	SHEET: 1 OF 1