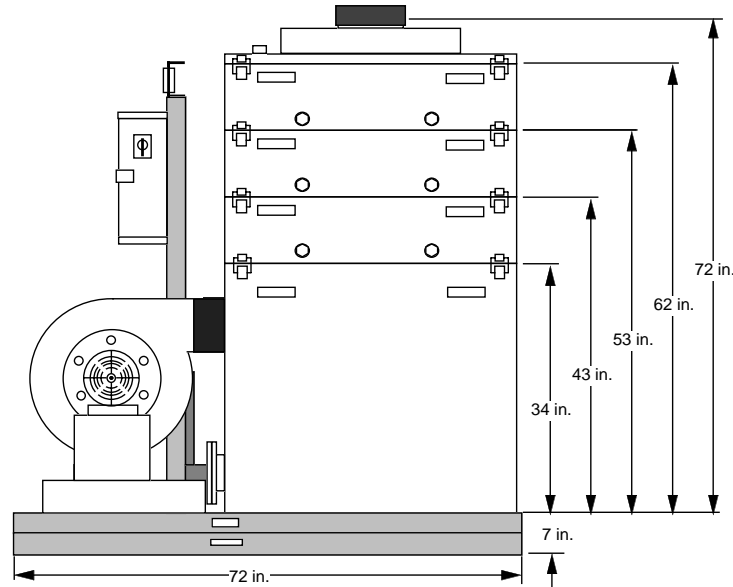
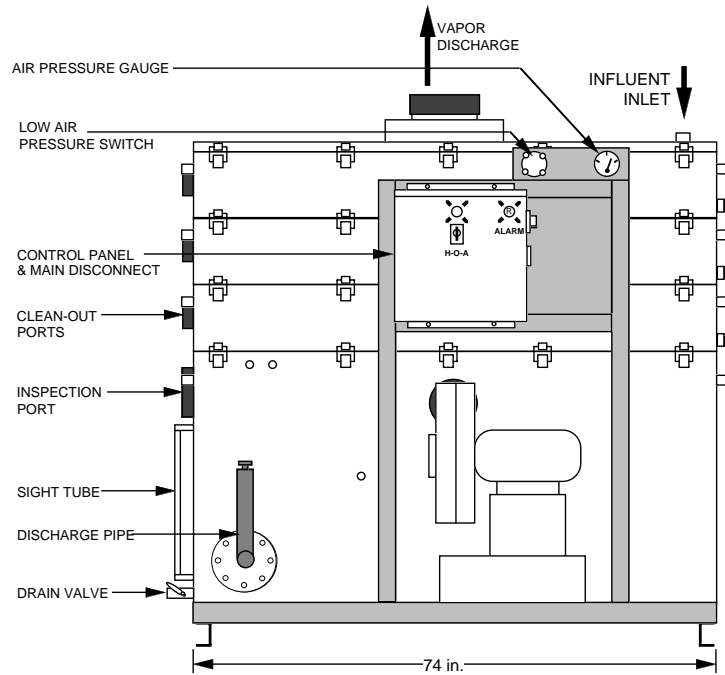


FRONT

RIGHT SIDE

MINIMUM CLEARANCE

FRONT	1.5 ft.
TOP	12 in.
REAR	N/A
LEFT	6.5 ft.
RIGHT	1 ft.



BASIC SYSTEM

- ✓ SUMP TANK
- ✓ STRIPPER TRAYS
- ✓ BLOWER
- ✓ MIST ELIMINATOR
- ✓ PIPING
- ✓ SPRAY NOZZLE
- ✓ WATER LEVEL SIGHT TUBE
- ✓ GASKETS
- ✓ LATCHES

OPTIONAL ITEMS

- ✓ SKID & STANCHION
- ✓ AIR PRESSURE GAUGE
- ✓ GRAVITY DISCHARGE PIPING
- ___ DISCHARGE PUMP
- ___ FEED PUMP
- ___ ADDITIONAL BLOWER
- ___ EXPLOSION-PROOF MOTORS
- ___ LOCAL DISCONNECT NEMA 7
- ✓ CONTROL PANEL
- ✓ MAIN DISCONNECT SWITCH
- ___ I.S. COMPONENTS/REMOTE MOUNT
- ✓ INTERMITTENT OPERATION
- ___ STROBE LIGHT
- ___ ALARM HORN
- ___ POWER LAPSE INDICATOR
- ✓ LOW AIR PRESSURE ALARM SWITCH(ES)
- ✓ HIGH WATER LEVEL ALARM SWITCH
- ___ DISCHARGE PUMP LEVEL SWITCH
- ___ WATER PRESSURE GAUGE(S)
- ___ DIGITAL WATER FLOW INDICATOR
- ___ AIR FLOW METER
- ___ TEMPERATURE GAUGE(S)
- ___ LINE SAMPLING PORT(S)
- ___ AIR BLOWER SILENCER
- ✓ WASHER WAND
- ___ AUTO DIALER

NOTE: THIS DRAWING IS REPRESENTATIVE OF A STANDARD SHALLOWTRAY CONFIGURATION, AND IS NOT INTENDED FOR ENGINEERING DESIGN OR LAYOUT. ACTUAL ARRANGEMENT AND DIMENSIONS MAY VARY DEPENDING ON BLOWER SELECTION OR OTHER ACCESSORIES. PLEASE CONTACT NEEP FOR DETAILED DESIGN INFORMATION.

POWER: 3Ø, 460 Volt, 3 WIRE + GROUND 60Hz

DESIGNED FOR: CONSULT N.E.E.P. FOR AMPACITIES AND OTHER VOLTAGE OPTIONS

STRIPPER CONSTRUCTION:
304L STAINLESS STEEL

CONNECTION INFORMATION

ITEM	SIZE
GRAVITY DISCHARGE	6"Ø SOCKET, PVC80
DISCHARGE PUMP	3"Ø FNPT
WATER INLET	3"Ø FNPT
AIR EXHAUST NOZZLE	10"Ø STUB W/10" CPLG

	NORTH EAST ENVIRONMENTAL PRODUCTS, INC. 7 COMMERCE AVENUE WEST LEBANON, NEW HAMPSHIRE 03784 PHONE: 603-298-7061 FAX: 603-298-7063 http://www.neepsystems.com		
	DRAWING NAME: © 2002 NEEP ShallowTray® Model 3631		
TOLERANCES UNLESS OTHERWISE SPECIFIED: ± 1 INCH _{67C}	DRAWING #: Proposal #Typical		
DRAWN: DCS	CUSTOMER: NEEPSYSTEMS.com		
DATE: 07/02/02	SCALE: NTS	SIZE: A	SHEET: 1 OF 1